



A TAB Company

STORAGE SYSTEMS

AMES Kompress Security Door Retrofit

Secure Critical Information

AMES Kompress Security Door Retrofit makes it possible to secure critical information without relocating existing records. Installation is quick and easy, so that down time for clients is minimal.

No drilling is required for installation, as AMES Kompress Security Door Retrofit are simply clipped onto shelving and securely tightened with an allen wrench.

The manufacturing design of the box incorporates a counter-balance spring to facilitate easy lifting, and provides a check against rapid closing speeds. For lightweight strength in each Rollok door, this counter balance design incorporates metal slats which consist of a core of polyurethane foam sandwiched within two aluminum skins.

The physical components of each AMES Kompress Security Door Retrofit assembly consist of the side guide rails and a pre-assembled box which houses the roll of slats. Side guide rails measure $2\frac{1}{8}'' \times \frac{7}{8}''$, and the box size is generally $6\frac{1}{2}'' \times 6\frac{1}{2}''$ square, or $7 \times 7''$ square.

Locking is provided by a single push button lock system that is located in the side guide rail. To lock the closed door in place, simply push in the button. After a key is used for unlocking the system, the door will spring upwards to aid in lifting.

AMES Kompress Security Door Retrofit are ideal in meeting the HIPAA privacy requirements for medical record security.



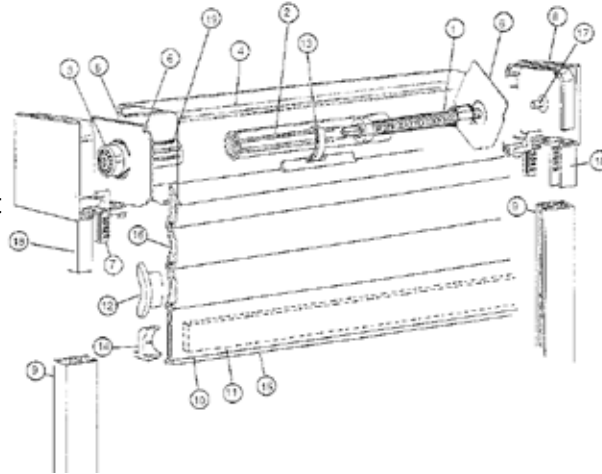
Benefits

- ✓ Easy to install, affixing to existing cabinetry or shelving
- ✓ Installation involves minimal down time
- ✓ Existing charts do not need to be relocated
- ✓ Loss of filing space - minimal to none
- ✓ Spring-Assisted for effortless operation
- ✓ Counter-balance controls movement
- ✓ Entire panel locks with a single key
- ✓ Widths up to 12 feet in a single panel
- ✓ Multi-panel designs are possible for applications wider than 12 feet

STORAGE SYSTEMS

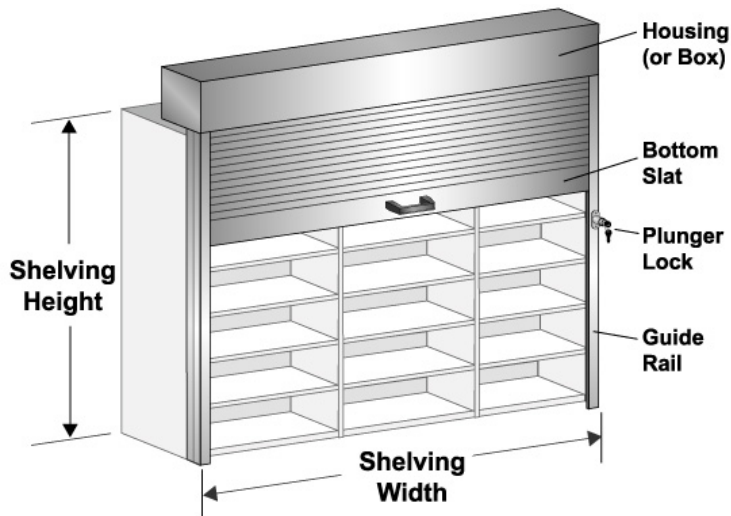
Mechanical Parts

- 1 Assist Spring
- 2 Center Axle
- 3 Insert Bearing
- 4 Housing Box – Back
- 5 Housing Box – Front
- 6 Retainer Plates
- 7 Entry Guide
- 8 End Cap
- 9 Guide Rails
- 10 Bottom Slat



- 11 Steel Weight
- 12 Side Lock
- 13 Hanging Straps
- 14 Impact Stop
- 15 Cushioned Insert
- 16 Slat
- 17 End Cap Pivot Post
- 18 End Cap Ear
- 19 Axle Insert

Measuring Guide



Security Door Featured on a AMES Kompres Mobile System



Contact one of our representatives today!

